

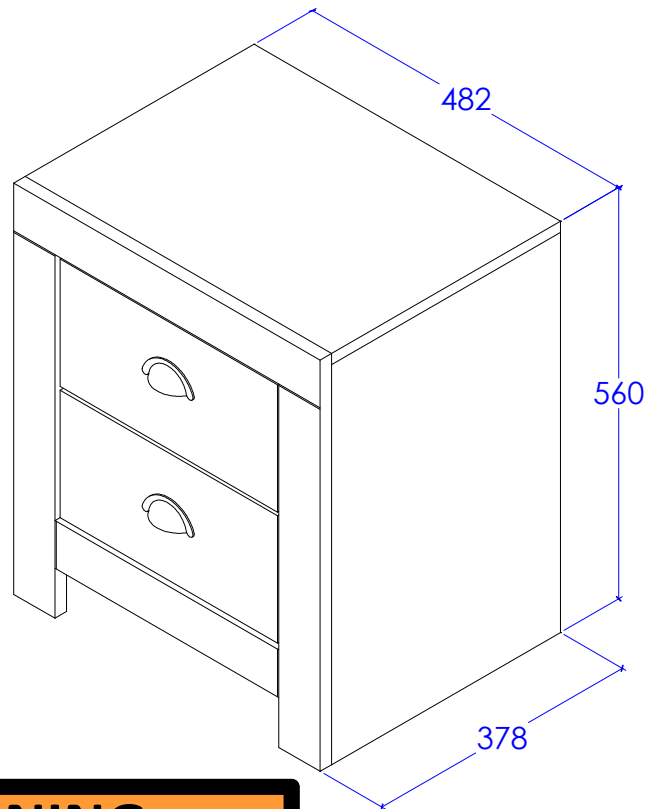



## ASSEMBLY INSTRUCTION

### BARN 2 DRAWER BEDSIDE TABLE

ITEM CODE 50551

Imported by Super Amart Pty Ltd, Qld, Brisbane Australia.  
For any assistance with assembly or for missing parts please phone  
Super Amart Ewing Road, Customer Service Free call 1800 351 084



 **WARNING**

**Serious or fatal injuries may occur from furniture toppling over.**  
To help avoid this please follow the below recommendations:

- Install the provided "Tipping Kit" as per the instructions
- Never allow children to climb on or hang off of any part of this product
- Unless specifically designed to accommodate, do not set TVs or other heavy objects on top of this product

If this product has drawers:

- Place the heaviest items in lowest drawers
- Do not open more than 1 drawer at a time as this may cause the product to become unbalanced
- Do not tamper with or remove any drawer interlocking/running system

**Note: The use of the provided "Tipping Kit" may reduce but not necessarily eliminate the risk of furniture toppling over.**  
Please use this product with caution.

*This is a permanent label. Do not attempt to remove!*

Imported by Super Amart Pty Ltd, Qld, Brisbane Australia.

For any assistance with assembly or for missing parts please phone Super Amart Ewing Road,  
Customer Service Free call 1800 351 084

## WALL STUD



### SAFETY BRACKET INSTRUCTIONS

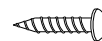
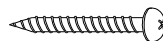
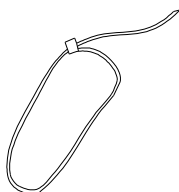
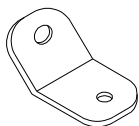
Part Enclosed :

A) Bracket

B) Safety Strap

C) 50mm Pan Head Screw

D) 17mm Pan Head Screw



2x

1x

1x

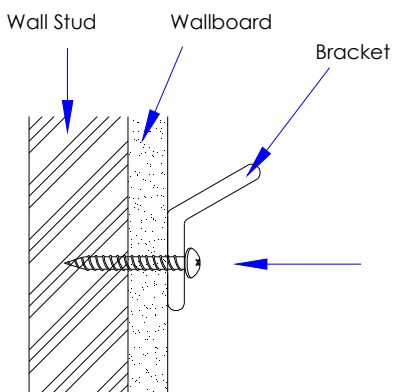
1x

**IMPORTANT:** Tipping can injure young children. Use of this safety hardware is highly recommended. This safety hardware, when properly installed, can provide furniture protection against unexpected accidental tipping of furniture due to improper use.

#### Step 1

Attach a bracket to the wall board with the 2" screw provided:

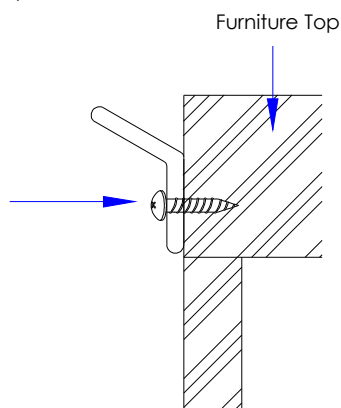
- . It is recommended that you locate a wall stud behind the furniture unit. If the wall stud is not used, a suitable "Hollow-Wall Anchor Bolt" (not provided) should be used in lieu of the wall stud.
- . Position the wall bracket on the stud about 1" below the top of furniture piece.
- . Mark the position for the bracket placement on the wall and drill a pilot hole into the stud.
- . Attach the bracket to the back of the furniture with the 2" screws provided.



#### Step 2

To attach a bracket to the Furniture Frame below to top with the short screws provided :

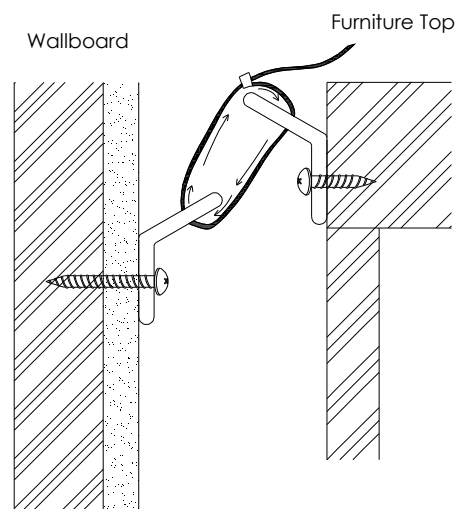
- . Move the furniture piece temporarily to its final position to the wall.
- . Mark the location of the bracket on the back of the furniture in relation to the previously mounted wall bracket.
- . Move the furniture piece away from the wall mounted bracket and place the other bracket on the mark position on the back of the furniture piece.
- . Drill a pilot hole as shown in the figure or into the back furniture frame. **Caution:** Mark sure you do not drill completely through the back of the furniture.
- . Attach the bracket to the back of the furniture with the 5/8" screws provided.



#### Step 3

To Attach the safety strap:

- . Move the furniture back to its final position.
- . Thread the safety strap through both of the mounted brackets as shown in the illustration.
- . Tighten the strap unit snug.
- . Do not over tighten.



**IMPORTANT:** Make sure the brackets are firmly attached to the wall stud and furniture frame and the safety strap is snug.

**Warning:** This product is not be a substitute for proper parental supervision which is the only proper deterrent to prevent improper use of this unit. The manufacturer assumes no liability for improper installation or excessive loads placed on the safety straps, bracket or mounting screws. This hardware will not insure against tipping.

**Note:** For taller or heave pieces of furniture, two safety brackets may be installed.



# Care Label For Timber Items

---

- A multi-step finish is applied to all our furniture, but all wood comes from nature. Because of this, there will be natural variations in surface texture and grain like knots, mineral streaks and sap runs that may affect the finish. These differences in character are not defects, but distinctions that make each piece of furniture unique.
- Our furniture is built to last. Following these steps for basic care should protect your investment for years to come.
- Dust frequently with a clean damp lint-free cloth. This will help remove abrasive build up which can damage a finish over time.
- Do not place hot objects on any furniture surface. Always use a hot plate or placemat. Laminate and lacquer finishes on table tops provide added scratch and heat resistance to our furniture, but they can still be damaged without proper care.
- Avoid exposing your furniture to strong sunlight, heat outlet, open windows or dampness. Prolonged exposure to direct sunlight can fade the finish of your furniture, while extreme temperature and humidity changes can cause cracking or splitting.
- Do not expose your furniture to any liquids. Never allow water to sit on your furniture. Alcohol, nail polish and perfume are also dangerous as they will dissolve the lacquer finish on contact and may require professional repairs.
- Do not allow plastic to come in direct contact with your furniture. Chemicals in the plastic of placemats etc may soften and mark the finish if left in contact with the furniture for a period of time.